

CAMC

H08 MODEL



ANHUI HUALING AUTOMOBILE CO.,LTD





Engine

- High power, Low emission and low pollution. High torque output in low speed, Started quickly, good climbing ability
- Economic fuel consumption and low fuel cost. Electronically Controlled High Pressure fuel system, which can make the diesel high-pressure atomization and precision injection, to ensure full combustion of fuel.
- Advanced design, Durable and reliable performance. Equipped with separate hinged split Piston, which is made up of forged piston head and aluminum piston skirt. Cylinder liner, cylinder body and cylinder head can be replaced by choice of Suspension.

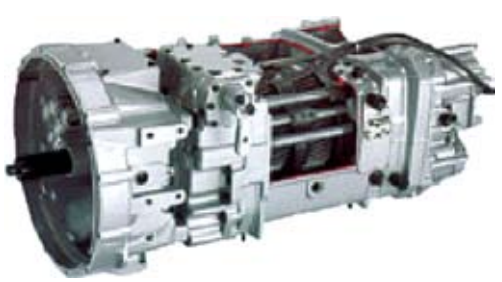


HINO P11C Series engine



Xi'an Cummins ISM series engine.

Transmission



ZF16S1650 Transmission.

- ZF16S1650 transmission is 16 gear transmission made by ZF transmission technology (Hangzhou) LTD. It is very easy to operate. The synchronization ensures the engaging teeth of all gears can move with the same orientation and speed before they engage together so shift gear is rapid and reliable.
- Bipod doesn't have to leave the clutch when up shift.
- It is not necessary to step on the accelerator fiercely when downshift, even in the situation of downgrade and complex traffic. The surface of synchronized ring is plated by molybdenum.
- Shift between high, low gear and half gear is realized by air-operated control.
- High performance and big input torque is profited from the optimized gear processing craftwork.

Tractor 4x2



H08 Main specification

2009

Related dimension (mm)

Model	tractor4X2
Wheel base	3400
Length	6050
Width	2496
Height	3930,3541,3222
Front radius of gyration	2200
Rear Radius of gyration	2150
Front overhang	1550
Rear overhang	1100
Fifth wheel ground clearance	1400
Height of frame	316
Width of frame	976/850
Front and rear tread	2065/1860

Power

Engine model	P11C-UR380	ISME420 30
Type	Four-stroke, water-cooled, in-line, dry-liner.	
Fuel system	Electronically Controlled High Pressure Common Rail	
Rated Power/Speed (kW/r/min)	275/2100(Net) 280/2100	301.6/1900(Net) 306/1900
Rated torque/Speed (Nm/r/min)	1594/1100	2010/1200
Bore x Stroke(mm)	122 x 150	125 x 147
Displacement(L)	10.52	10.8
High pressure pump	094000-0530/Japan's Denso Corp. 3090942/Cummins company.	
Turbo type	Turbo water-cooled	Turbo water-cooled
Minimum fuel consumption rate(g/kW.h)	0.238	0.2808
The maximum no-load speed(r/min)	2100	1900
NoiseDb(A)	《93	《93
Displacement	Euro-3	Euro-3

Specification of weight (kg)

Kerb mass	7800
Total weight	42000
Permission trailer weight	34005

Steering system

Steering box	φ 110
Power steering pump	Thallus pump

Clutch system

Type	φ 430 Pull-type clutch
Control model	Hydraulic control with air assisted

Transmission performance

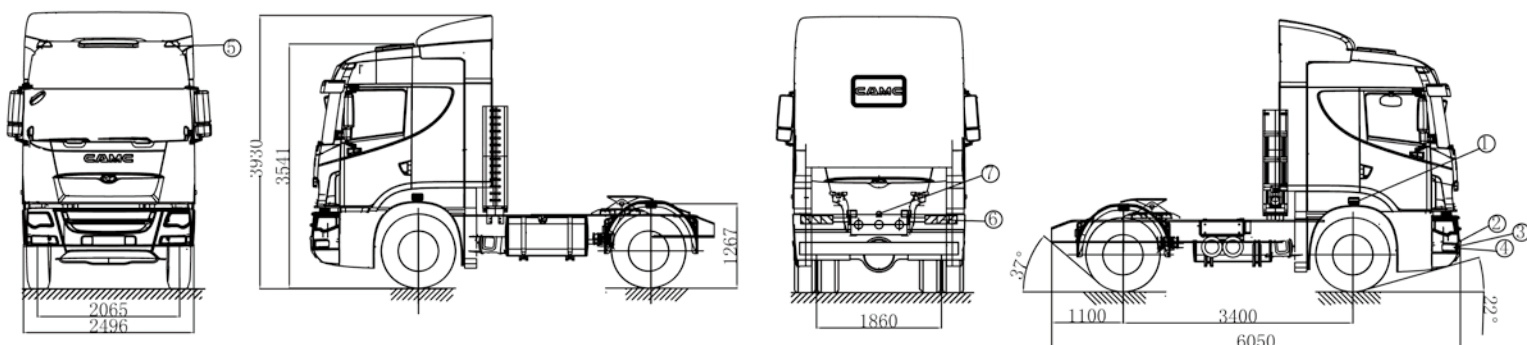
Maximum(km/h)	120
Max. Grade ability	26%
Transmission model	ZF16S1650
Transmission speed	16
Drive ratio of drive axle	4.11

Brake system

Type	Full Air Brake, Dual circuit
Model of brake	Drum brake
Parking brake	Spring
Emergency brake	Spring

Other specification

Tire	13.00R22.5
Capacity of fuel tank(L)	500(Aluminum alloy fuel tank)
Battery capacity(Ah)	150
Standard of brake system	Europe standard.



Dump truck



H08 Main specification

2009

Related dimension (mm)

Model	Dump truck 6x4
Wheel base	3600+1350
Length	8780
Width	2500
Height	3600
Length of dumper	5600
Width of dumper	2300
Height of dumper	1200
Front overhang	1550
Rear overhang	1780
Frame ground clearance	1165
Height of frame(Front and rear)	316
Width of frame	976/850
Front and rear tread	2065/1860

Power

Engine model	P11C-UJ350	ISME385 30
Model	Four-stroke, water-cooled, in-line, dry-liner.	
Fuel system	Electronically Controlled High Pressure Common Rail	
Rated Power/Speed (kW/r/min)	254/2100(net) 259/2100	277.84/1900(net) 283/1900
Rated torque/Speed (Nm/r/min)	1454/1100	1835/1200
Bore x Stroke (mm)	122 x 150	125 x 147
Displacement(L)	10.52	10.8
High pressure pump	094000-0530/Japan's Denso Corp.	3090942/Cummins company.
Turbo type	Turbo water-cooled	
Minimum fuel consumption rate(g/kW.h)	0.212	0.2596
The maximum no-load speed	2100	1900
NoiseDb(A)	《93	《93
Displacement	Euro-3	Euro-3

Specification of weight (kg)

Kerb mass	11905
Kerb mass of chassis	9200
Payload	21595(Crew:2) 21530(Crew:3)
GVW	33500

Driven performance

Max speed(km/h)	78
Max. Grade ability (%)	35%
Model of transmission	RT-11509C
Speed of transmission	9
Drive axle ratio	5.73

Steering system

Steering box	∫ 110
Power steering pump	Thallus pump

Brake system

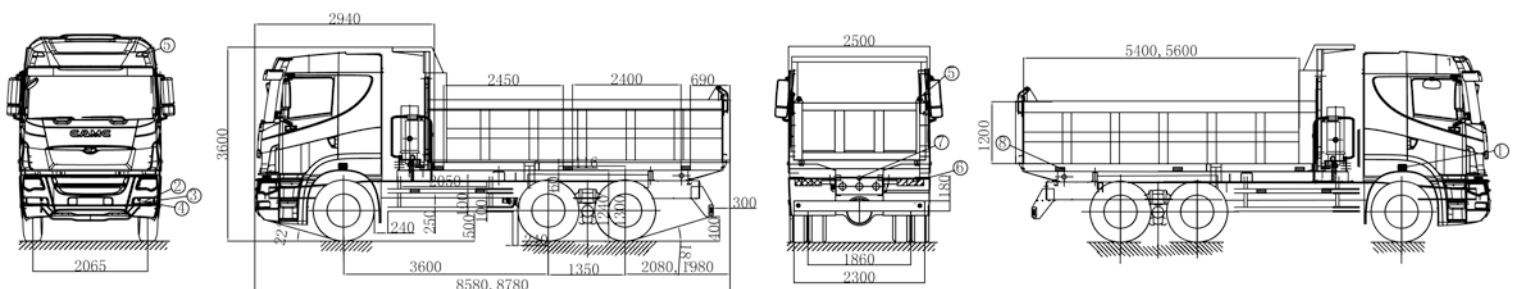
Type	Full Air Brake, Dual circuit
Model of brake	Drum brake
Parking brake	Spring
Emergency brake	Spring

Hydraulic lifting system

Model	Front hydraulic lifting system
Control system	By air

Other specification

Tire model	11.00-20
Fuel tank capacity(L)	380
Battery capacity(Ah)	150
Cargo box capacity(m ³)	19.3



CAMC Heavy-duty Truck, International Heavy-duty Truck.
Definition of New Criteria for Heavy-duty Truck.

ANHUI HUALING AUTOMOBILE CO.,LTD

Address: Economic and Technological Development Zone of Manahan
City, Anhui Province ,P.R.China Service Hotline:800-868-8822
Tel:086-555-8323386 8323387 8323597 Fax:086-555-8323389
E-mail: fr@camc.biz <http://english.camc.cc/>

